

bouwen met
staal



IDEA StatiCa[®]

Calculate yesterday's estimates

IDEA STATICA
&
BOUWEN MET STAAL



PRESENTING



Klara Thiel
Country Manager BeNeLux



QUICK SURVEY

1) Who has never heard of IDEA StatiCa?



QUICK SURVEY

- 1) Who has never heard of IDEA StatiCa?
- 2) Who uses IDEA StatiCa at least once a month?





Calculate yesterday's estimates

CALCULATE YESTERDAY'S ESTIMATES

www.ideastatica.com

ABOUT THE IDEA STATICA

- Software for Structural Engineers
- Steel + Concrete
- CBFEM + CSFM
- TU Delft, ETH Zürich, ...



ABOUT THE IDEA STATICA

- Established 2009 in the Czech Republic
- 120 employees
- 110 countries, 50.000 users
- Offices: BNL, DE, UK, USA, Singapore, Dubai



IDEA STATICA

**FOR
STEEL**

StatiCa®

Calculate yesterday's estimates

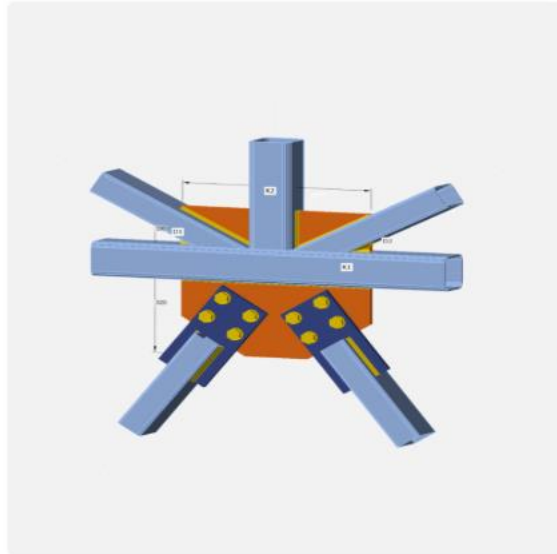


IDEA STATICA CONNECTION

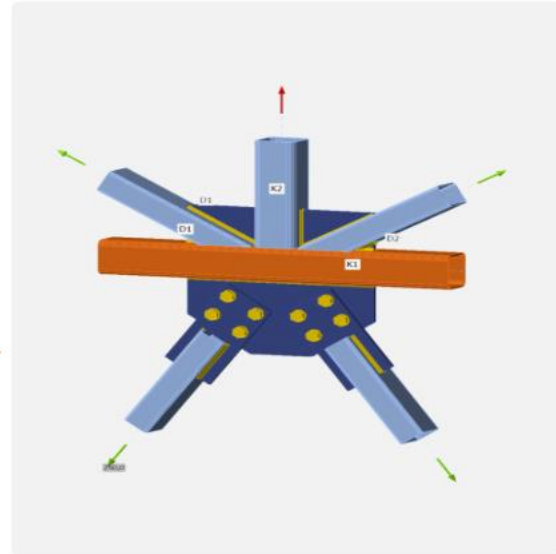
- Steel connections, members and anchoring
- Design and check in minutes
- Any loading, any topology
- Different checks – stiffness, buckling, etc.
- Various BIM links



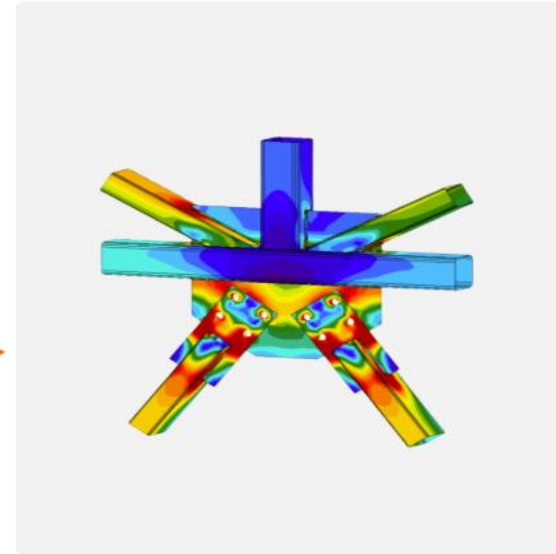
IDEA STATICA CONNECTION



Model



Load

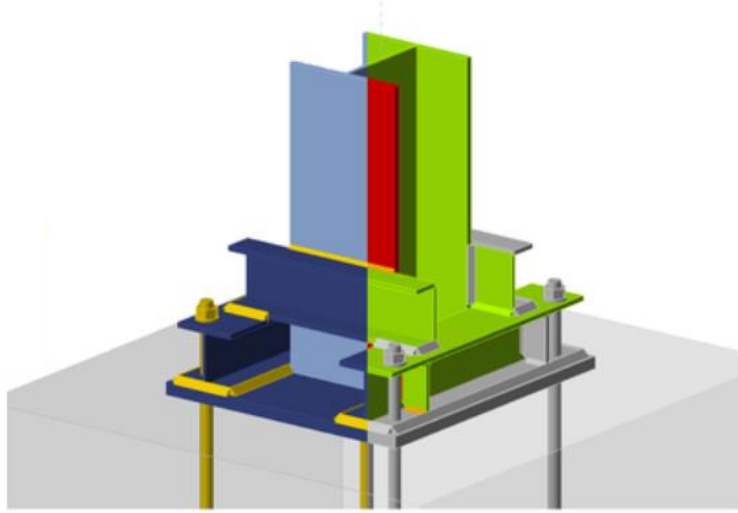


Calculate

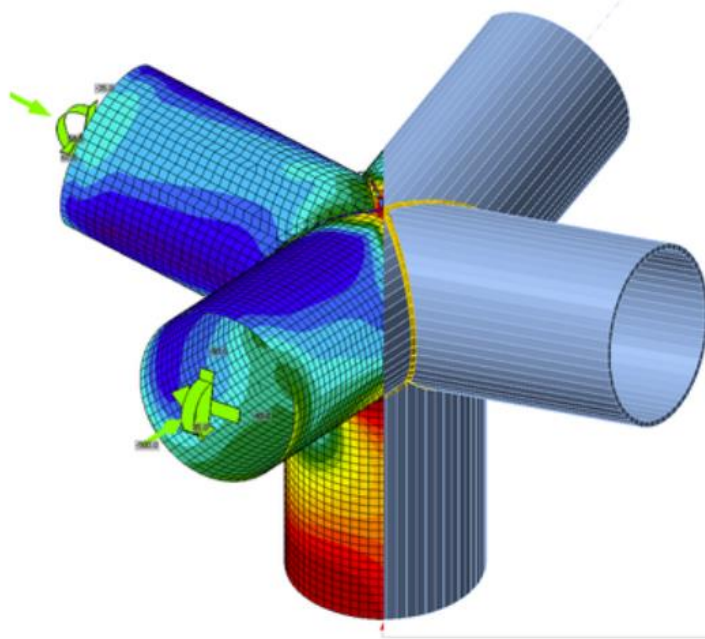


Report

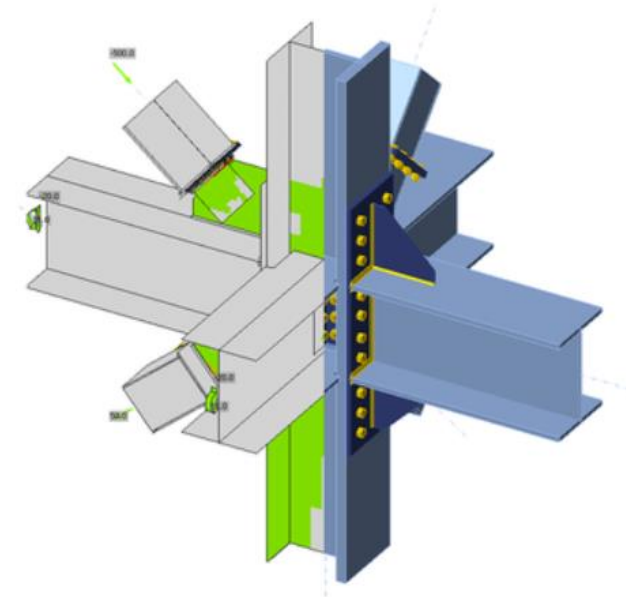
IDEA STATICA CONNECTION



FRAME MOMENT FOOTINGS



SPATIAL WELDED HSS CONNECTIONS



3D CONNECTIONS WITH BRACES AND STIFFENERS

IDEA STATICA CONNECTION & NL

- In the Netherlands since 2015
- Our office since 2021
- Approx. 2.300 users
- TU Delft



IDEA STATICA & BOUWEN MET STAAL

- Our mission: *„Calculate yesterday's estimates“*
- Results readings and interpretation - trainings are essential
- The alignment with Bouwen met Staal's mission: *„To train engineers and provide them with better insights and knowledge.“*
- **To better understand steel and its properties, behaviour and uses**



IDEA STATICA & STAALBOUWDAG

- 2025 – 5th participation - hundreds of engineers
- The hackathon sponsorship
- Better understanding to the Steel
(and saving of time and money :)
- Staalbouwdag in the European context



5. 10. 2025
SEE YOU HERE!

 **StatiCa**[®]
Calculate yesterday's estimates



CALCULATE YESTERDAY'S ESTIMATES